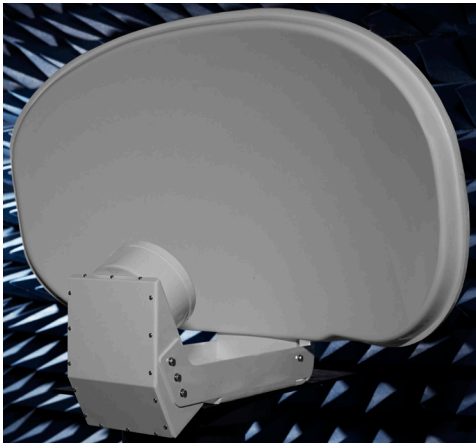


Silhouette™

High Gain Antenna for Mobile Operations



Features

Field Proven Performance

Advanced Antenna Design

- High gain for maximum range
- Superior directivity to minimize multipath reflections
- Single and dual band versions
- Fixed and switched polarization versions

Rugged Construction



The Silhouette™ is ideal for most mounted applications.

Field Proven Performance

The Silhouette™ is field proven in everyday use with hundreds of antennas in operation worldwide. Its design concept has been imitated; however its performance and quality are unmatched.

Advanced Antenna Design

The Silhouette™ incorporates important characteristics for superior performance in mobile microwave applications - high gain, directivity and selectable polarization - to isolate the microwave link from interference and to provide the maximum area of coverage.

Focused for Superior Performance

The Silhouette™ feed is located precisely at the focal point of the parabolic reflector, resulting in a crisp main lobe, low sidelobes and full gain performance. By comparison, the feed on the generic antenna counterpart is not located at the focal point of the parabolic reflector, resulting in a misshaped main lobe, higher sidelobes and gain performance that falls far short of their claims.

Rugged Construction

Ideal for mast-mounted installations, the Silhouette™ is designed to withstand the rigors of remote vehicle operations. The Silhouette™ features a rugged reflector that combines superior strength and light weight.



Silhouette™ High Gain Antenna for Mobile Operations

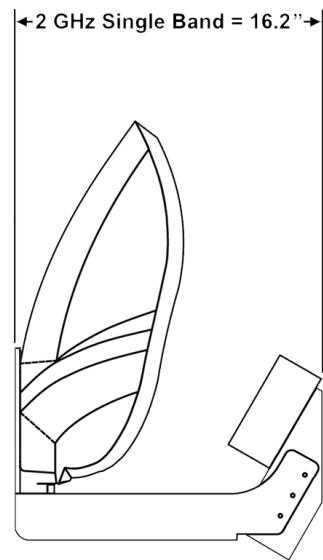
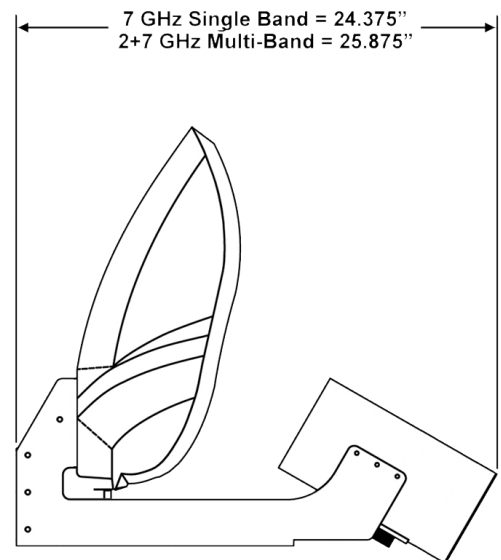
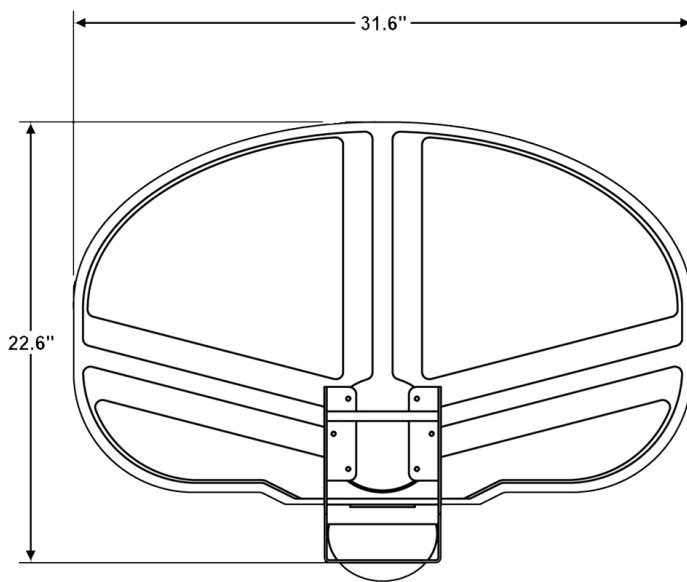
Specifications

Frequency*	Gain**	Azimuth HPBW	Elevation HPBW
2 GHz	20 dB	14 degrees	22 degrees
7 GHz	30 dB	4 degrees	7 degrees

* Other frequencies available upon request.

** Gain referenced to a like-polarized isotrope, excluding switching options.

Silhouette™ Dimensions



Specifications subject to change without notice.