

# Remote Control Interface Units for Canon PTZ Cameras

## Features

**Provides DC power for Canon PTZ camera systems**

- BU-45H
- BU-46H
- BU-47H
- BU-50H
- BU-51H
- XU-80/XU-80W
- XU-81/XU-81W

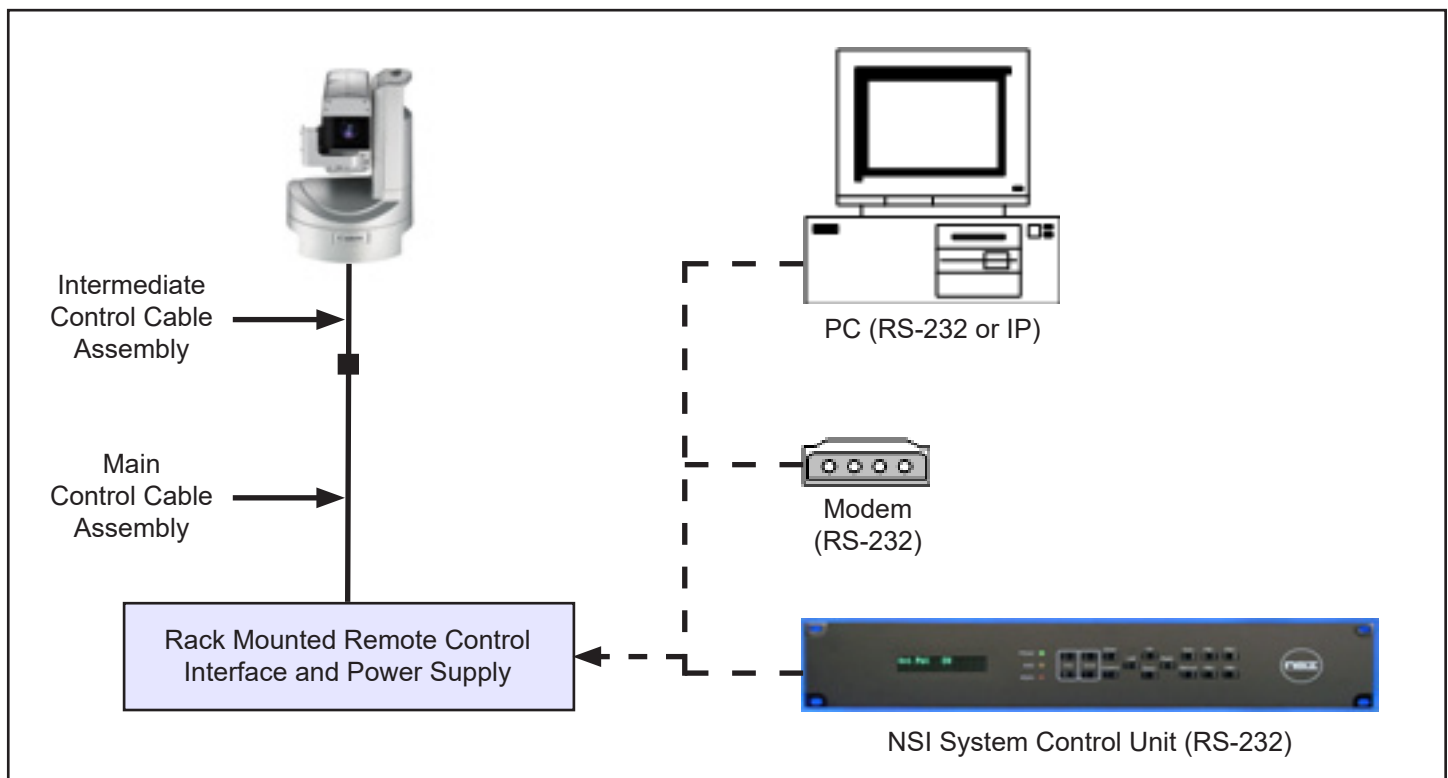
**Provides RS-422 interface for the camera**

**Provides RS-232 or IP interface for the remote control**

NSI offers a family of remote control interface units for use with Canon BU- and XU-Series PTZ camera systems. Each remote control interface unit includes a rack mounted unit with power supply that provides the RS-422 interface with the camera as well as an RS-232 or IP interface with the remote control.

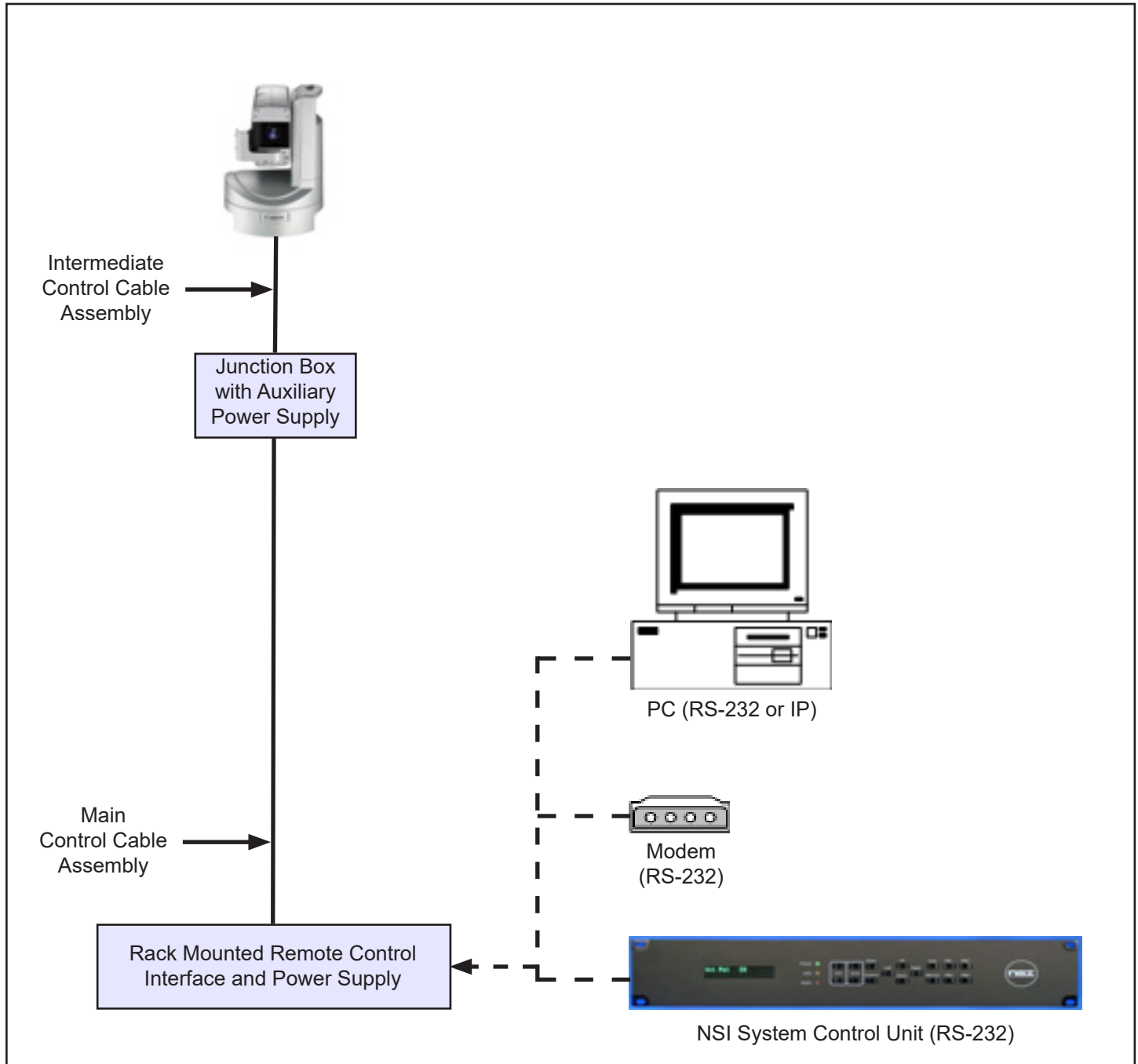
Alternative configurations include a junction box with auxiliary power supply to allow for extended control cable lengths between the camera and the rack mounted unit.

An intermediate control cable and connectors for the main control cable are also included.



Canon Camera	Remote Control Interface	Remote Control Interface Unit	CC4p-1622 Maximum Control Cable Length
BU-Series	RS-232	948-51775-104	100-Feet
BU-Series	IP	948-51775-105	100-Feet
XU-Series	RS-232	948-51775-110	250-Feet
XU-Series	IP	948-51775-111	250-Feet

# Remote Control Interface Units for Canon PTZ Cameras



Canon Camera	Remote Control Interface	Remote Control Interface Unit	CC4p-1622 Maximum Control Cable Length	CC4p-2020 Maximum Control Cable Length
BU-Series	RS-232	948-51775-101	850-Feet	300-Feet
BU-Series	IP	948-51775-102	850-Feet	300-Feet
XU-Series	RS-232	948-51775-107	2500-Feet	2000-Feet
XU-Series	IP	948-51775-108	2500-Feet	2000-Feet