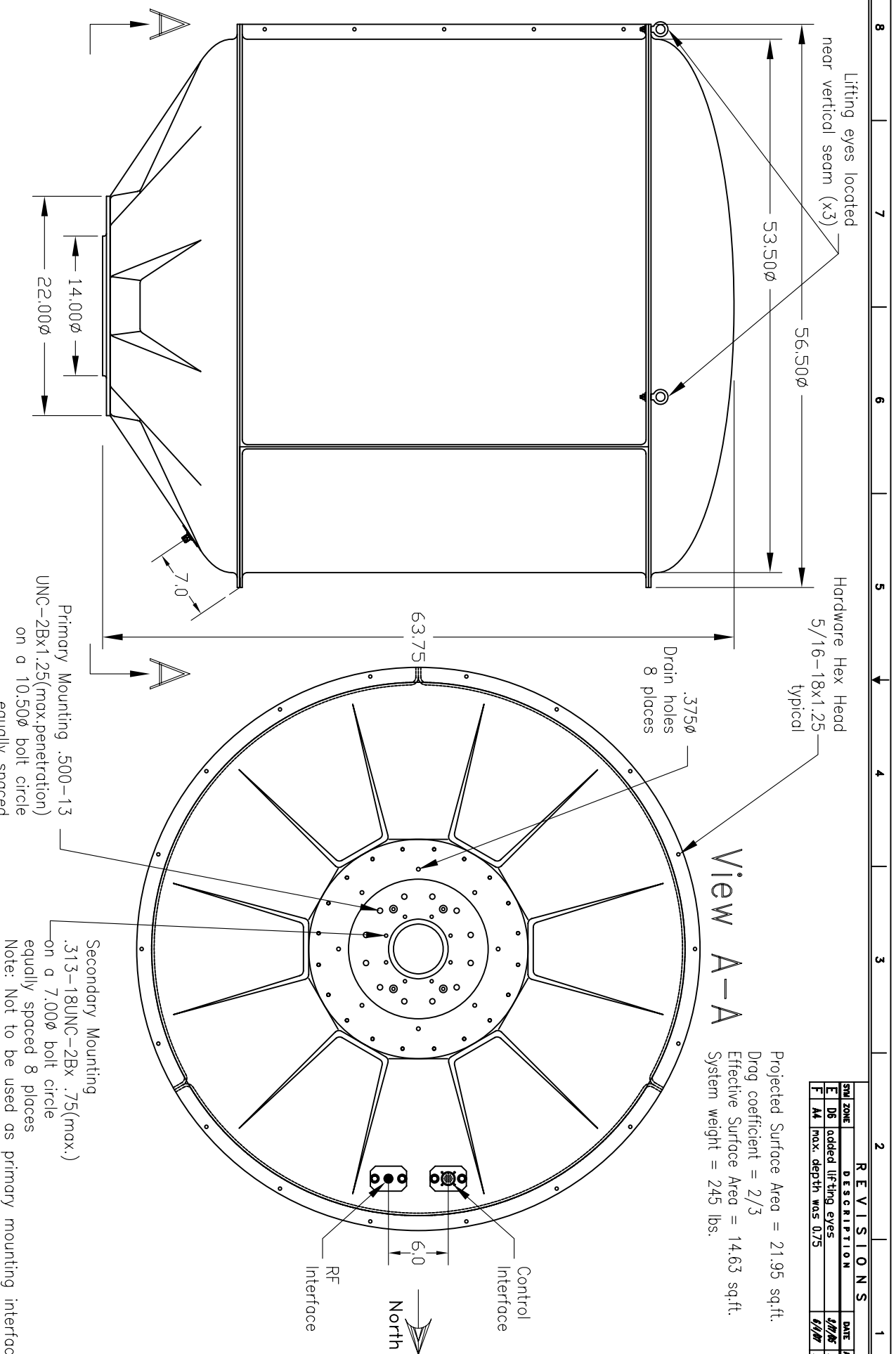


REVISIONS			
S/NL ZONE	DESCRIPTION	DATE	APPROVED
E	Added lifting eyes	4/1/84	BDM
F	max. depth was 0.75	4/1/84	BDM

Projected Surface Area = 21.95 sq.ft.
 Drag coefficient = 2/3
 Effective Surface Area = 14.63 sq.ft.
 System weight = 245 lbs.



NSI N Systems, Inc.
 Columbia, Maryland

Superquad CRS4
 Outline

SCALE: none
 SIZE: DWG NO. 092-51501 F
 SHEET 1 OF 1

DATE: 2/29/84
 DRAWN: B.L. Anderson
 CHECK: [blank]

UNITED STATES GOVERNMENT SECURED DIMENSIONS ARE IN INCHES. TOLERANCE ON JOCK .0015
 ANGLE: 0-30° .005
 MACHINE SURFACE EXCEPT AS NOTED